

STUBBLE TRIM TOP TIPS

- Use on clean, dry hair.
- If possible, when using for the first time, try and grow your facial hair for a few days before cutting so you can trim down to a level that is best for you.
- Set the cutting length as required.
- It is always best to start cutting with a longer length first, then trim again if the length is longer than desired.
- Hold the stubble trim against the hair, the teeth of the comb guide should be pointing upwards and should be flat against the face.
- Move the trimmer upwards through the hair, a little at a time, against the direction of hair growth. The floating and contouring head will follow the curves of your face to ensure both accuracy and comfort.
- The stubble trim will work most effectively when cutting through the hair at its own speed – never force through the hair. You may experience a little resistance when trimming the neck area, where hair is thicker and grows in many different directions. This is completely normal.
- Just like shaving, extra time should be given when trimming under the neck area, as again this is where hairs grow in many different directions.
- Never switch the trimmer off while in the hair.

CLEANING & MAINTENANCE

- Regular cleaning will maintain the high performance of your stubble trim.
- Switch off and remove the power cord if connected.
- Detach the comb guide by gently lifting the front of the comb guide from both sides and flipping it over to the back of the unit and locking it into position by clicking it securely onto the fastener on the back of the handle.
- Use the cleaning brush supplied to brush away any hair and debris. Do not use a sharp object to clean the trimmer blade.
- The blades can be removed to aid cleaning.
- To remove the blades hold the handle of the stubble trim with one hand, place your thumb underneath the blades and push the blades away from the handle.
- Gently blow away any hair trapped beneath the blades.
- The blades can be rinsed under the tap. After rinsing the blades they may need to be oiled. See oiling instructions below.
- Ensure the blades are dry before reattaching to the trimmer body.
- Ensure you clean the blades after each use and before storing away.
- It is highly recommended to oil the blades from time to time with the oil provided. This ensures optimum cutting performance. For the first use you will need to use the oil supplied with the product, unscrew the cap and cut off the very end of the plastic tube with a pair of scissors to release the oil. To oil the blades ensure the unit is switched

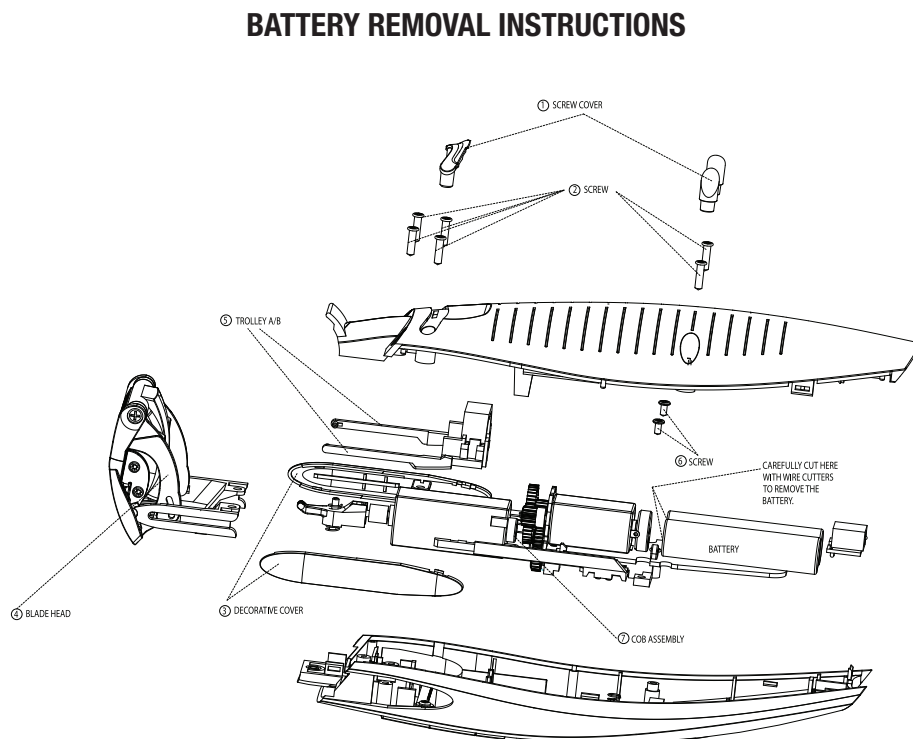
on. Gently squeeze the oil tube and apply 2 drops of oil onto the blades. Leave the unit on for a further few seconds to allow the oil to thoroughly spread the length of the blades. Switch off the unit and remove any excess oil by gently dabbing with a cloth.

BATTERY DISPOSAL

This appliance contains Nickel Metal Hydride batteries. To protect the environment this appliance and its batteries must be disposed of safely. At the end of its life, please take this appliance to a recycling center, where the internal rechargeable battery should be removed by a professional and recycled separately. For more information about the recycling of electrical and battery operated appliances please contact your local council office or your household waste disposal service. For specific enquiries regarding the replacement of batteries in this product please contact our Conair Customer Care Line.



CONTAINS NICKEL METAL HYDRIDE BATTERIES. MUST BE COLLECTED, RECYCLED OR DISPOSED OF PROPERLY. DO NOT DISPOSE OF IN THE MUNICIPAL WASTE.



BATTERY REMOVAL INSTRUCTIONS

LIMITED TWO YEAR WARRANTY

Conair will repair or replace (at our option) your unit free of charge for 24 months from the date of purchase if the appliance is defective in workmanship or materials.

To obtain service under this warranty, return the defective product to the service center listed below, together with your purchase receipt and \$5.00 for postage and handling. California residents need only provide proof of purchase and should call 1-800-366-0937 for shipping instructions. In the absence of a purchase receipt, the warranty period shall be 24 months from the date of manufacture.

ANY IMPLIED WARRANTIES, OBLIGATIONS, OR LIABILITIES, INCLUDING BUT NOT LIMITED TO THE IMPLIED WARRANTY OF MERCHANTABILITY AND FITNESS FOR A PARTICULAR PURPOSE, SHALL BE LIMITED IN DURATION TO THE 24 MONTH DURATION OF THIS WRITTEN, LIMITED WARRANTY. Some states do not allow limitations on how long an implied warranty lasts, so the above limitations may not apply to you.

IN NO EVENT SHALL CONAIR BE LIABLE FOR ANY SPECIAL, INCIDENTAL, OR CONSEQUENTIAL DAMAGES FOR BREACH OF THIS OR ANY OTHER WARRANTY, EXPRESS OR IMPLIED, WHATSOEVER. Some states do not allow the exclusion or limitation of special, incidental, or consequential damages, so the above limitation may not apply to you.

This warranty gives you specific legal rights, and you may also have other rights, which vary from state to state.

STUBBLE TRIM

the ultimate in stubble control



Instruction Booklet

For your safety and continued enjoyment of this product, always read the instruction booklet carefully before using.



Model GMT900

Please register this product at: www.conair.com/registration

©2011 Conair Corporation

Service Center

Conair Corporation
Service Department
7475 North Glen Harbor Blvd.
Glendale, AZ 85307

10PG117928

IB-10/512

IMPORTANT SAFETY INSTRUCTIONS

When using electrical appliances, especially when children are present, take basic safety precautions, including the following:

READ ALL INSTRUCTIONS BEFORE USING

KEEP AWAY FROM WATER FOR HOUSEHOLD USE ONLY

DANGER — any appliance is electrically live, even when the switch is off. To reduce the risk of death or injury by electric shock:

1. **Unplug this appliance before cleaning.**
2. Do not place or store appliance where it can fall or be pulled into a tub or sink.
3. Do not use while bathing or in a shower.
4. Do not place in, or drop into water or other liquids.
5. Do not reach for an appliance that has fallen into water. **Unplug immediately.** Dry location use only or expose to liquid, vapor or rain.
6. Except when charging, always unplug this appliance from electrical outlet immediately after using.
7. Never operate the adapter if the specification is out of the rating.

DO NOT REACH INTO THE WATER

WARNING — To reduce the risk of burns, electric shock, fire, or injury to persons:

1. **This appliance should never be left unattended when plugged in.** Do not pull, twist, or wrap line cord around appliance.
2. This appliance should not be used by, on or near children or individuals with certain disabilities.
3. Use this appliance only for its intended purpose as described in this manual. Do not use attachments not recommended by the manufacturer. Do not use an extension cord to operate this appliance.
4. **Never operate this appliance if it has a damaged cord or plug, if it is not working properly or if it has been dropped or damaged, or dropped into water.** Return the appliance to a service center for examination and repair.
5. Keep the cord away from heated surfaces.
6. Never drop or insert any object into any opening on this appliance.
7. Do not place appliance on any surface while it is operating.
8. Do not use this appliance with a damaged or broken comb or with teeth missing from the blades as injury may occur. Before use, make certain blades are aligned properly. (See taking care of your trimmer).
9. Do not use outdoors or operate where aerosol (spray) products are being used or where oxygen is being administered.

10. Never operate the appliance with the air openings blocked or while on a soft surface, such as a bed or couch, where the air openings may be blocked. Keep the air openings free of lint, hair, and other debris.
 11. Always attach plug to appliance first, then to outlet. To disconnect, turn all controls to "OFF", then remove plug from outlet.
 12. Avoid skin contact with moving blade.
 13. When using the appliance with its cord, be mindful of tangles or kinks in the cord. If the cord does become tangled during use, turn the unit off and straighten cord before operating again.
 14. Do not short the polarity (output cord), ensure jack is plugged into the unit before plugging the adapter into outlet.
 15. This power unit is intended to be correctly oriented in vertical floor mount position.
 16. For connection to a supply not in the U.S.A., use an attachment plug adapter of the proper configuration for the power outlet.
 17. The adapter complies with Part 15 of the FCC Rules. Operation is subject to the following two conditions: (1) the adapter may not cause harmful interference, and (2) the adapter must accept any interference received, including interference that may cause undesired operation.
- WARNING:** Changes or modifications to this unit not expressly approved by the party responsible for compliance could void the user's authority to operate the equipment.

SAVE THESE INSTRUCTIONS OPERATING INSTRUCTIONS USER MANUAL

Maintain your look, everyday with the next generation in stubble control technology. The Conair For Men stubble trim has 15 ultra precise length settings, so you can maintain your preferred facial hair style at all times. Whether you're looking for a short shadow look, a longer stubble look, or even a short beard, the stubble trim is the ultimate in stubble control. The motorized length control gives precise adjustment from a 0.4mm-5mm shadow so you can get exactly the look you want. Its unique floating contouring head tracks the curves of your face for exceptional accuracy and comfort to give you an ultra precise stubble shave.

FEATURES

- Unique floating contouring head tracks the curves of your face for exceptional accuracy and comfort.
- Motorized length control from a 0.4mm-5mm shadow with precise automatic adjustments for ultimate accuracy.
- Advanced power performance with long-lasting dual battery system for reliable and fast stubble shaving.

- Advanced blade technology with electro-chemically formed blades for extreme sharpness and durability.
- LCD screen displays selected length and charge level.
- Protective comb guide delivers ultimate length consistency, removable for easy cleaning.
- Rapid charging system, 90 minutes charge provides 45 minutes use or 5 minutes quick charge for a single stubble shave.
- Ergonomic design with curved body for easy control and complete comfort in use.

INSTRUCTIONS FOR USE

TAKING CARE OF YOUR TRIMMER OILING THE BLADES

About once a month you should oil the trimmer blades. It is best to do this over a piece of newspaper. Turn the trimmer on and hold it so that the blades are pointed downward. Spread one drop of oil across the blades, then turn the trimmer off and wipe away the excess oil with a soft cloth.

Be careful not to use too much oil and don't oil your trimmer more than necessary, as this could damage the motor. (Never attempt to oil the motor bearing, as it is permanently lubricated.) **KEEP OIL OUT OF REACH OF CHILDREN**

IMPORTANT : CHARGING FIRST TIME USE

- The stubble trim is so easy to use, but before you do anything you must take your time to charge the unit for 16 hours before its first use. Even if you want to use it plugged in to your outlet, this initial super-charge ensures optimum power performance to give smooth fast trimming every time. After the first charge a full charge should take 90 minutes. Maximum battery capacity will only be reached after 3 charging/discharging cycles.
- Connect the power adaptor to the socket on the underside of the stubble trim trimmer.
- Plug the power adaptor into a suitable bathroom outlet.
- Always check that the charging indicator on the LCD comes on when you connect the power lead into the product.

REGULAR CHARGING

- A full charge should take 90 minutes and will supply enough power for minimum 45 minutes continuous cordless use. The remaining battery life is shown on the LCD display.
- In order to maintain the optimum capacity of the rechargeable batteries, the appliance should be recharged for 16 hours every 3 months approximately.
- The stubble trim comes with a quick charge feature. A 5 minute charge will provide enough power for approximately 3 minutes use.

SWITCHING ON

Press the 'Power on/off' button and release, the battery indicator on the LCD screen will cycle through a few times before the remaining battery life is displayed.

SWITCHING OFF

To switch off the stubble trim hold down the 'Power on/off' button for 2 seconds then release.

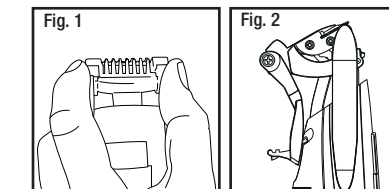
PREPARATION FOR USE

Always inspect the stubble trim before use to ensure the cutting head is free from hair and debris and is running smoothly.

USING THE COMB GUIDE

- The comb guide allows you to change the cutting length of your trimmer. You'll need to experiment to find your preferred length, but as a guide, 0.4mm will give you very short stubble, whilst 1.6mm will give you a longer stubble look. 2mm+ will give you a short beard.
- Ensure the comb guide is correctly positioned by pushing the comb guide gently downwards to secure into place.
 - Use the digital touch control "up" or "down" buttons to adjust the telescopic comb guide to the required length.
 - The cutting lengths are displayed on the LCD screen in "mm" – scroll through the available length settings with the digital touch controls. There are 15 length settings available: 0.4mm, 0.6, 0.8, 1.0, 1.2, 1.4, 1.6, 1.8, 2.0, 2.5, 3.0, 3.5, 4.0, 4.5, 5.0mm.
 - Select your required length – the length setting will then remain displayed on the LCD screen.

- Push the power button to switch the stubble trim on.



USING THE TRIMMER WITHOUT THE COMB GUIDE

- Using without the comb guide is ideal for detailing/shaping and general tidying of edges.
 - To detach the comb guide, gently hold the trimmer in one hand and with your thumb and index finger push up on each side of the comb guide (fig. 1). Flip the comb guide to the back of the unit and lock it into position by clicking it securely onto the fastener on the back of the handle (fig. 2).
 - Switch the stubble trim on by pushing the "power on" button. The LCD will illuminate and the blades will start to move.
 - If you are looking for an ultra close finish, you can use the trimmer without the comb guide. This will give you an extremely short cut.
- IMPORTANT:** please note when using the trimmer without the comb guide, the cutting length will be below 0.4mm. The length setting shown on the LCD screen will no longer be relevant when the comb guide is detached.

• Oprima el botón de encendido/apagado para encender el aparato. La pantalla digital se iluminará y la cortadora se pondrá en marcha.

• También puede usar la cortadora sin la guía para obtener un corte al ras. Tenga presente que el corte será muy corto.

IMPORTANTE: Sin la guía, la longitud de corte será por debajo de 0.4 mm, aunque la pantalla indique otra longitud.

CONSEJOS DE CORTE

- Su barba debe estar limpia y seca.
- Le recomendamos que deje crecer su barba durante varios días antes de usar la cortadora por primera vez. De esta manera, podrá probar varios ajustes hasta encontrar su ajuste favorito.
- Elija la longitud deseada.
- Es preferible empezar con la longitud más larga, y luego volver a acortar la barba usando un ajuste más corto.
- Sostenga la cortadora contra el rostro, los dientes de la guía apuntando hacia arriba y planos contra la piel.
- Mueva la cortadora poco a poco hacia arriba, en la dirección opuesta al crecimiento. El cabezal flotante se adaptará al contorno de su rostro, para mayor precisión y comodidad.
- La cortadora funciona mejor cuando corta a su propia velocidad – nunca haga fuerza. Puede que sienta más resistencia cuando corte el pelo en la nuca, porque en esta zona es más grueso y crece en direcciones opuestas. Esto es normal.
- Al igual que cuando se rasura, tome su

tiempo para cortar el pelo en esta zona.

• Siempre encienda el aparato ANTES de acercarlo a la piel.

LIMPIEZA Y MANTENIMIENTO

- Una limpieza regular asegurará un funcionamiento óptimo.
- Apague y desconecte el aparato.
- Empuje suavemente en cada costado de la guía con el pulgar y el índice para aflojarla. Luego, repliegue la guía y presiónela para sujetarla en la parte trasera del aparato.
- Limpie el cabezal de corte con el cepillo de limpieza provisto. No utilice objetos filosos para limpiar las cuchillas.
- Las cuchillas son extraíbles, para facilitar la limpieza.
- Para remover las cuchillas, sostenga la cortadora con una mano, coloque el pulgar debajo del juego de cuchillas y empuje hacia delante.
- Sople sobre el cabezal para eliminar los pelos atrapados bajo las cuchillas.
- Enjuague las cuchillas en agua. Después de enjuagar las cuchillas, puede que sea necesario lubricarlas. Véase las instrucciones de lubricación a continuación.
- Permita que las cuchillas sequen completa-mente antes de volver a instalarlas.
- Limpie las cuchillas después de cada uso y antes de guardar el aparato.
- Le recomendamos que lubrique las cuchillas regularmente, usando el aceite provisto. Esto asegurará un rendimiento óptimo. Antes de usar el aceite por primera

líquido, a la lluvia o al vapor.

6. Siempre desconecte el aparato inmediatamente después de usarlo, excepto cuando la está cargando.

7. Siempre respete las especificaciones eléc-tricas.

NO TRATE DE ALCANZAR LA UNIDAD EN EL AGUA

ADVERTENCIA — Para reducir el riesgo de quemaduras, electrocución, incendio o heridas:

- Nunca deje el aparato desatendido mientras esté conectado.** No jale, retuerza ni enrolle el cable alrededor del aparato.
- Este aparato no debería ser usado por o cerca de niños o personas con alguna discapacidad.
- Utilice este aparato únicamente con el propósito para el cual fue diseñado y solamente según las instrucciones. Sólo use accesorios recomendados por el fabricante. No utilice una extensión con este aparato.
- No opere este aparato si el cordón o la clavija estuviesen dañados, después de que hubiese funcionado mal o que se hubiese caído o si estuviese dañado.** Regrese el aparato a un centro de servicio autorizado para su revisión, reparación o ajuste.
- Mantenga el cable alejado de superficies

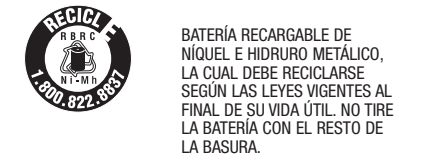
vez, retire la tapa y corte la punta del tubo con tijeras.

Encienda el aparato. Presione suavemente el tubo y vierta dos gotas de aceite sobre las cuchillas. Deje el aparato encendido durante unos segundos para repartir el aceite sobre las cuchillas. Apague el aparato y seque el exceso de aceite con un paño.

RECICLAJE DE LAS BATERÍAS

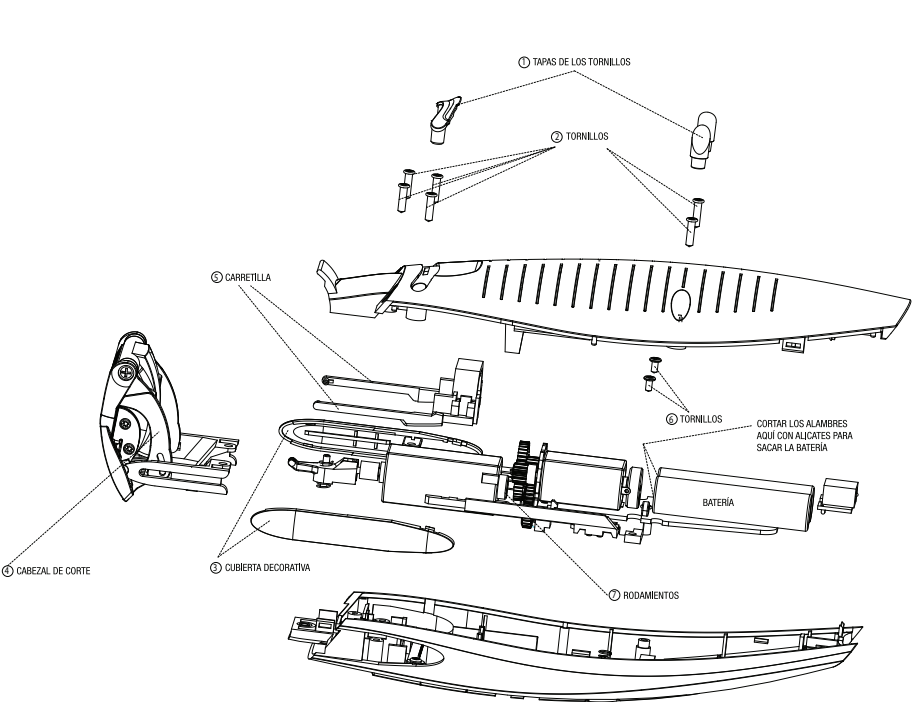
Este aparato contiene baterías de níquel e hidruro metálico (NiMH). Para proteger el medio ambiente, estas baterías y el aparato deben reciclarse según las leyes vigentes al final de su vida útil. Al final de su vida útil, lleve el aparato a un centro de reciclaje donde un profesional removerá la batería recargable para reciclarla por separado. Para más información acerca del reciclaje de los aparatos eléctricos y de las baterías, comuníquese con las autoridades locales en materia de reciclaje y eliminación de desechos. Para más información sobre el

ESTE APARATO CONTIENE UNA



BATERÍA RECARGABLE DE NÍQUEL E HIDRURO METÁLICO, LA CUAL DEBE RECICLARSE SEGÚN LAS LEYES VIGENTES AL FINAL DE SU VIDA ÚTIL. NO TIRE LA BATERÍA CON EL RESTO DE LA BASURA.

reemplazo de las baterías, comuníquese con nuestro servicio de atención al cliente.



16. Puede que sea necesario utilizar un adaptador de enchufe (no incluido) para conectar el aparato fuera de los Estados Unidos.

17. Este adaptador cumple con la Sección 15 de la Normativa FCC. Su funcionamiento está sujeto a las dos condiciones siguientes: 1) Este adaptador no puede causar ninguna interferencia perjudicial, y 2) Este adaptador debe aceptar cualquier interferencia recibida, incluso alguna interferencia que pudiera ocasionar una operación no deseada.
ADVERTENCIA: Se advierte que las modificaciones no aprobadas expresamente por la autoridad competente en materia de conformidad podrían rescindir el permiso del usuario para operar el equipo.

de corte. El regulador de longitud motorizado corta la barba con mucha precisión (desde 0.4 mm hasta 5mm), para que usted pueda conseguir exactamente la apariencia deseada. Su cabezal flotante único se adapta al contorno de su rostro para mayor precisión y comodidad.

CARACTERÍSTICAS

- Cabezal flotante único que se adapta al contorno de su rostro para mayor precisión y comodidad.
- Regulador de longitud motorizado con ajuste automático desde 0.4 mm hasta 5mm, para máxima exactitud.
- Desempeño de punta gracias a dos baterías duraderas, para resultados rápidos y fiables.
- Cuchillas formadas electroquímicamente, extremadamente filosas y duraderas.
- Pantalla digital que indica la longitud seleccionada y el estado de carga.
- Guía protectora, para resultados uniformes. Extraíble para facilitar la limpieza.
- Sistema de carga rápida. Una carga de 90 minutos ofrece una autonomía de 45 minutos. Una carga de 5 minutos ofrece una autonomía de varios minutos, suficiente para un corte.
- Diseño ergonómico curvo, para mayor control y comodidad.

GARANTÍA LIMITADA DE DOS AÑOS

Conair reparará o reemplazará (a su opción) su aparato sin cargo por un período de 24 meses a partir de la fecha de compra si presentara defectos de materiales o fabricación.

Para obtener servicio técnico bajo esta garantía, regrese su aparato al Centro de Servicio indicado a continuación, junto con su recibo de compra y un cheque o giro postal de US\$5.00 por gastos de manejo y envío. Los residentes de California sólo necesitan dar una prueba de compra y deben llamar al 1-800-366-0937 para recibir instrucciones de envío. En ausencia del recibo de compra, el período de garantía será de 24 meses a partir de la fecha de fabricación.

CUALQUIER GARANTÍA, OBLIGACIÓN O RESPONSABILIDAD IMPLÍCITAS, INCLUYENDO PERO NO LIMITADAS A LA GARANTÍA IMPLÍCITA DE COMERCIABILIDAD Y APTITUD PARA UN PROPÓSITO ESPECÍFICO, ESTARÁN LIMITADAS POR LOS 24 MESES DE LA PRESENTE GARANTÍA ESCRITA. Algunos Estados no permiten limitaciones sobre la duración de una garantía implícita, de modo que las limitaciones mencionadas pueden no regir para usted.

CONAIR NO SERÁ RESPONSABLE EN NINGÚN CASO POR ALGÚN DAÑO ESPECIAL, INCIDENTAL O CONSECUENTE DEBIDO AL INCUMPLIMIENTO DE ESTA O CUALQUIER OTRA GARANTÍA, EXPRESA O IMPLÍCITA. Algunos Estados no permiten la exclusión o limitación de daños especiales, incidentales o consecuentes, de modo que las limitaciones mencionadas pueden no regir para usted.

Esta garantía le otorga derechos legales específicos y usted puede tener otros derechos que varían de un Estado a otro.

10PG117928

IB-10/512

Modelo GMT900

INSTRUCCIONES DE USO

MANTENIMIENTO DE SU CORTADORA LUBRICACIÓN DE LAS CUCHILLAS PRIMERA CARGA

- Lubrique las cuchillas aproximadamente una vez al mes. Para no ensuciar, haga esto encima de un periódico. Sostenga el aparato al revés y enciéndelo. Coloque una gota de aceite sobre las cuchillas, apague el aparato y limpie el exceso de aceite con un paño suave. No use demasiado aceite y no lubrique el aparato más de lo necesario. Esto podría dañar el motor. Tampoco no intente lubricar las piezas del motor, las cuales son lubricadas de por vida. MANTENGA EL ACEITE FUERA DEL ALCANCE DE LOS NIÑOS.
- Su cortadora es muy fácil de usar, pero será necesario cargarla durante 16 horas antes del primer uso. Esta primera "súper carga" es imprescindible, aunque desee usar el aparato con cable, y garantiza un desempeño óptimo y resultados rápidos, cada vez que lo use. Después de la carga inicial, cada carga completa demorará 90 minutos. Nota: La batería recargable alcanzará su capacidad máxima después de 3 ciclos de carga/descarga.
- Conecte el adaptador al enchufe ubicado debajo del aparato.
- Enchufe el adaptador en un tomacorriente.
- Cerciórese de que el indicador de carga

aparezca en la pantalla.

CARGA REGULAR

- Una carga completa dura 90 minutos y proporciona una autonomía de 45 minutos o más. El estado de carga aparece en la pantalla digital.
- Para lograr un desempeño óptimo y mantener la capacidad de las baterías recargables, le recomendamos que cargue el aparato durante 16 horas cada tres meses.
- Su cortadora también ofrece una opción de carga rápida. Una carga de 5 minutos ofrecerá una autonomía de 3 minutos.

IMPORTANTE: INSTRUCCIONES DE CARGA

ENCENDIDO

Para encender el aparato, oprima el botón de encendido/apagado una vez. El indicador de carga indicará el estado de carga después de unos segundos.

APAGADO

Para apagar el aparato, mantenga oprimido el botón de encendido/apagado durante 2 segundos.

PREPARACIÓN

Revise el aparato antes de cada uso para asegurarse de que el cabezal esté libre de recortes y que el aparato funcione debidamente.

UTILIZACIÓN DE LA GUÍA

La guía permite ajustar la longitud de corte. Será necesario experimentar con ella hasta familiarizarse con las distintas longitudes para barba de

CORTADORA "BARBA DE VARIOS DÍAS" lo último en control de corte



Manual de instrucciones

Para su seguridad y para disfrutar plenamente de este producto, siempre lea las instrucciones cuidadosamente antes de usarlo.

CONAIR

Modelo GMT900

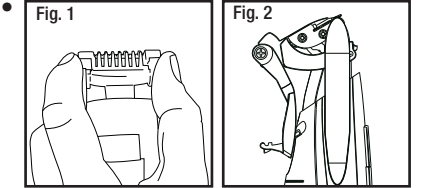
10PG117928

IB-10/512

Modelo GMT900

varios días (desde 0.4 mm hasta 1.6 mm) y para barba corta (desde 2 mm).

- Asegúrese de que la guía esté debidamente instalada, presionándola suavemente hasta que encaje.
- Oprima repetidamente la flecha para arriba/abajo para elegir la longitud deseada.
- Las longitudes disponibles desfilan en la pantalla digital al oprimir la flecha para arriba/abajo. El aparato ofrece 15 opciones: 0.4 mm, 0.6 mm, 0.8 mm, 1.0 mm, 1.2 mm, 1.4 mm, 1.6 mm, 1.8 mm, 2.0 mm, 2.5 mm, 3.0 mm, 3.5 mm, 4.0 mm, 4.5 mm y 5.0 mm.
- Elija la longitud deseada. El ajuste escogido permanecerá en la pantalla.



Oprima el botón de encendido/apagado para encender el aparato.

UTILIZACIÓN DE LA CORTADORA SIN LA GUÍA

- Puede usar a cortadora sin la guía para dar forma a la barba y darle el acabado final.
- Sostenga la cortadora con una mano y empuje suavemente en cada costado de la guía con el pulgar y el índice para aflojarla (Fig.1). Repliegue la guía hacia atrás y presiónela para sujetarla en la parte trasera del aparato (Fig.2).